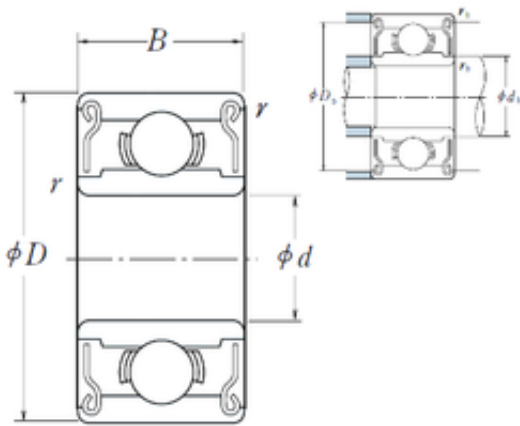




BEARING CORP.OF CANADA LTD.



3,175 mm x 6,35 mm x 2,779 mm ISO
R144-2RS Deep groove ball bearings

Bearing No. R144-2RS

Size	3.175x6.35x2.779 mm
Bore Diameter	3,175 mm
Outer Diameter	6,35 mm
Width	2,779 mm
d	3,175 mm
D	6,35 mm
B	2,779 mm
C	2,779 mm
r min.	0,1 mm

R144-2RS Bearing 2D drawings and 3D CAD models