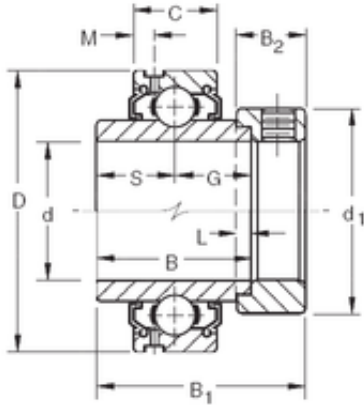




BEARING CORP.OF CANADA LTD.

49,2125 mm x 90 mm x 49,21 mm Timken
G1115KLL Deep groove ball bearings



Bearing No. G1115KLL

Size	49.2125x90x49.21 mm
Bore Diameter	49,2125 mm
Outer Diameter	90 mm
Width	49,21 mm
d	49,2125 mm
D	90 mm
B	49,21 mm
C	23 mm
d1	69,9 mm
B1	62,7 mm
B2	18,3 mm
G	24,6 mm
L	4,8 mm
M	4,7 mm
S	24,6 mm
Weight	1,031 Kg
Basic dynamic load rating (C)	39 kN

G1115KLL Bearing 2D drawings and 3D CAD models