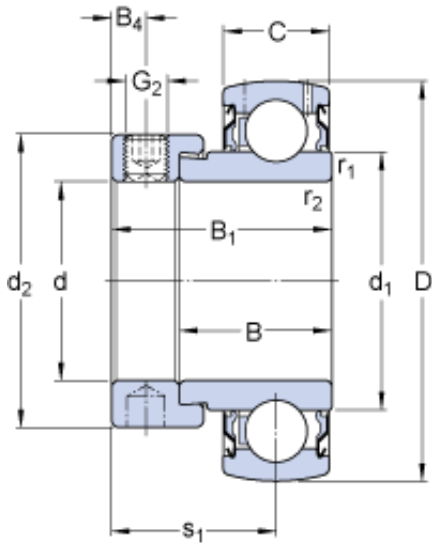




BEARING CORP.OF CANADA LTD.

35 mm x 72 mm x 25.4 mm SKF YET
207/VL065 Deep groove ball bearings

Bearing No. YET 207/VL065



YET 207/VL065 Bearing 2D drawings and 3D CAD models

Size	72x35x38.9 mm
Bore Diameter	72 mm
Outer Diameter	35 mm
Width	38,9 mm
d	35 mm
D	72 mm
B ₁	38.9 mm
C	19 mm
d ₁	46.1 mm
d ₂	51.1 mm
B	25.4 mm
B ₄	6.75 mm
r _{1,2} - min.	1 mm
s ₁	29.4 mm
Basic dynamic load rating - C	25.5 kN
Basic static load rating - C ₀	15.3 kN
Fatigue load limit - P _u	0.655 kN
Limiting speed with shaft tolerance h6	5300 r/min
Calculation factor - f ₀	14
Mass bearing	0.44 kg
Thread - G ₂	M10x1
Hexagonal key size for grub screw - H	5 mm



BEARING CORP.OF CANADA LTD.

B_1	38.9 mm
d_1	46.1 mm
d_2	51.1 mm
B_4	6.75 mm
$r_{1,2}$ min.	1 mm
s_1	29.4 mm
Basic dynamic load rating C	25.5 kN
Basic static load rating C_0	15.3 kN
Fatigue load limit P_u	0.655 kN
Limiting speed ¹⁾	5300 r/min
Calculation factor f_0	14
Mass complete bearing	0.46 kg
Thread grub screw G_2	M10x1
Hexagonal key size for grub screw N	5 mm
Recommended tightening torque for grub screw	16.5 N · m