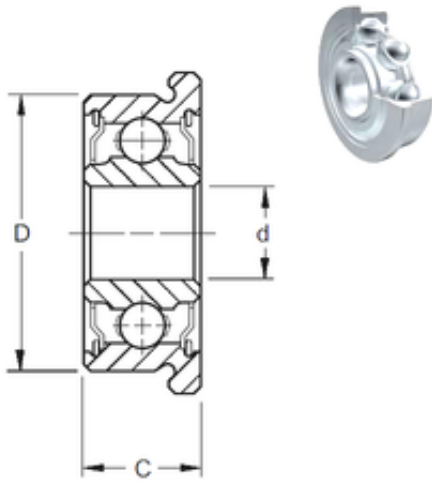




# BEARING CORP.OF CANADA LTD.



15 mm x 21 mm x 4 mm ZEN F61702-2Z Deep groove ball bearings

Bearing No. F61702-2Z

Size	15x21x4 mm
Bore Diameter	15 mm
Outer Diameter	21 mm
Width	4 mm
d	15 mm
D	21 mm
B	4 mm
C	4 mm
Basic dynamic load rating (C)	0,937 kN
Basic static load rating (C0)	0,582 kN
(Grease) Lubrication Speed	11000 r/min

F61702-2Z Bearing 2D drawings and 3D CAD models