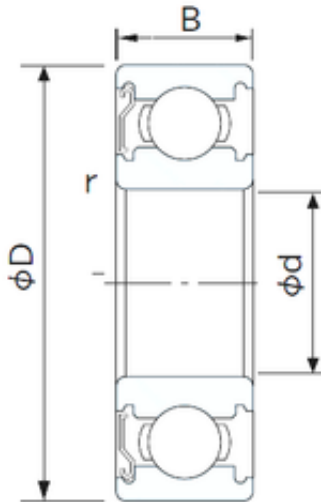




BEARING CORP.OF CANADA LTD.



30 mm x 55 mm x 13 mm NACHI 6006ZE Deep groove ball bearings

Bearing No. 6006ZE

6006ZE Bearing 2D drawings and 3D CAD models

Size	30x55x13 mm
Bore Diameter	30 mm
Outer Diameter	55 mm
Width	13 mm
d	30 mm
D	55 mm
B	13 mm
C	13 mm
r min.	1 mm
da min.	35 mm
Da max.	50 mm
ra max.	1.0 mm
Weight	0.117 Kg
Basic dynamic load rating (C)	13,2 kN
Basic static load rating (C0)	8,3 kN
(Grease) Lubrication Speed	12000 r/min
Category	Single Row Ball Bearings
Inventory	0.0
Manufacturer Name	NACHI
Minimum Buy Quantity	N/A
Weight / Kilogram	0
Product Group	B00308
Enclosure	1 Metal Shield
Precision Class	ABEC 1 ISO P0
Maximum Capacity / Filling	No



BEARING CORP.OF CANADA LTD.

Slot	
Rolling Element	Ball Bearing
Snap Ring	No
Internal Special Features	No
Cage Material	Steel
Internal Clearance	C0-Medium
Inch - Metric	Metric
Long Description	30MM Bore; 55MM Outside Diameter; 13MM Outer Race Width; 1 Metal Shield; Ball Bearing; ABEC 1 ISO P0; No Filling Slot; No Snap Ring; No Internal Special Features; C0-Medium Internal Clearance; Steel
Other Features	Deep Groove
Category	Single Row Ball Bearing
UNSPSC	31171504
Harmonized Tariff Code	8482.10.50.68
Noun	Bearing
Keyword String	Ball
Manufacturer URL	http://www.nachiamerica.com
Bore	1.181 Inch 30 Millimeter
Outer Race Width	0.512 Inch 13 Millimeter
Outside Diameter	2.165 Inch 55 Millimeter
Inner Race Width	0 Inch 0 Millimeter