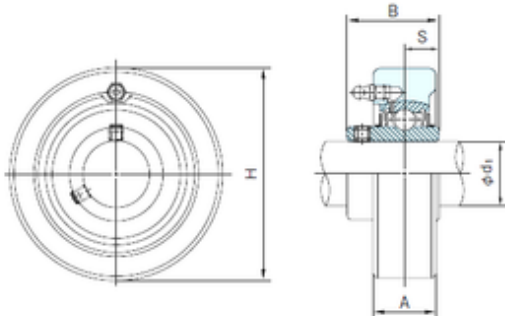




BEARING CORP.OF CANADA LTD.

NACHI UCC213 Bearing units



Bearing No. UCC213

Bore Diameter	65 mm
Width	65.1 mm
d	65 mm
A	40 mm
B	65.1 mm
H	140 mm
S	25.4 mm

UCC213 Bearing 2D drawings and 3D CAD models