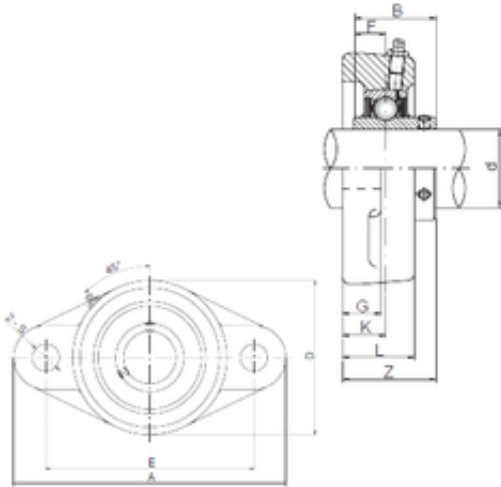




BEARING CORP.OF CANADA LTD.

45 mm x 108 mm x 49,2 mm ISO UCFL209
Bearing units

Bearing No. UCFL209



Bore Diameter	45 mm
d	45 mm
B	49,2 mm
Z	52,2 mm
A	188 mm
D	108 mm
E	148 mm
F	19 mm
G	15 mm
K	22 mm
L	38 mm
S	19 mm
Bolt (G)	M16

UCFL209 Bearing 2D drawings and 3D CAD models