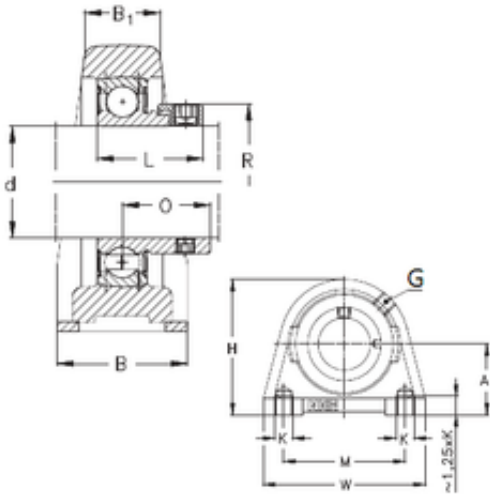




BEARING CORP.OF CANADA LTD.

NKE PSHEY25-N Bearing units

Bearing No. PSHEY25-N



PSHEY25-N Bearing 2D drawings and 3D CAD models

Bore Diameter	25 mm
Width	36 mm
d	25 mm
O	19,5 mm
A	36,5 mm
B	36 mm
B1	21 mm
H	70 mm
L	27 mm
M	50,8 mm
W	70 mm
Thread (G)	R1/8 "
Weight	0,57 Kg