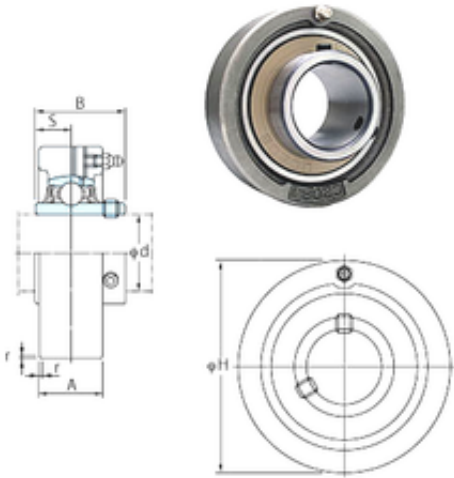




BEARING CORP.OF CANADA LTD.

FYH UCC318-56 Bearing units

Bearing No. UCC318-56



UCC318-56 Bearing 2D drawings and 3D CAD models

Bore Diameter	88,9 mm
Width	96 mm
d	88,9 mm
r	4 mm
A	66 mm
B	96 mm
H	225 mm
S	40 mm
Weight	13,1 Kg
Basic dynamic load rating (C)	143 kN
Basic static load rating (C0)	107 kN