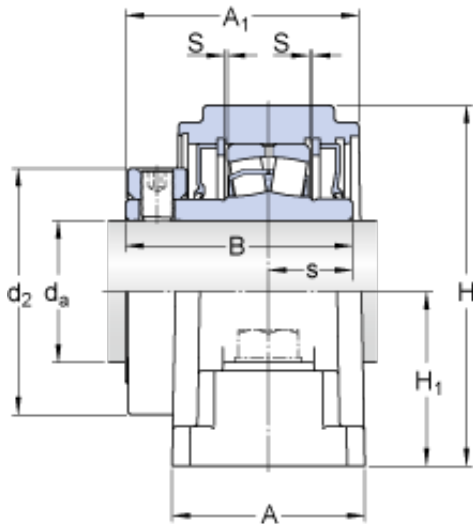




# BEARING CORP.OF CANADA LTD.



SYE 3 1/2 Bearing 2D drawings and 3D CAD models

## SKF SYE 3 1/2 Bearing units

Bearing No. SYE 3 1/2

Size	88.9x130.175x92.075 mm
Bore Diameter	88,9 mm
Outer Diameter	130,175 mm
Width	92,075 mm
$d_a$	88.9 mm
$d_2$	130.175 mm
A	92.075 mm
$A_1$	112.712 mm
B	102.394 mm
H	190.5 mm
$H_1$	95.25 mm
$H_2$	57.15 mm
L	355.6 mm
J - max.	290.512 mm
J - min.	268.288 mm
s	36.512 mm
S	0.794 mm
Basic dynamic load rating - C	253 kN
Limiting speed	2300 r/min
$d_a$	88.9 mm
$d_2$	130.175 mm
$A_1$	112.713 mm
$H_1$	95.25 mm
$H_2$	57.15 mm
J max.	290.512 mm



## BEARING CORP.OF CANADA LTD.

J min.	268.288 mm
Basic dynamic load rating C	253 kN
Mass bearing unit	16.1 kg
Attachment bolt diameter G	22.225 mm