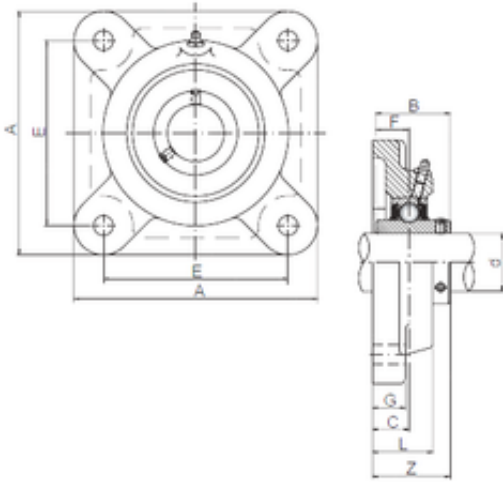




BEARING CORP.OF CANADA LTD.



ISO UCF310 Bearing units

Bearing No. UCF310

Bore Diameter	50 mm
Width	61 mm
d	50 mm
Z	67 mm
A	175 mm
B	61 mm
C	28 mm
E	132 mm
F	22 mm
G	19 mm
L	48 mm
S	23 mm
Bolt (G)	M20

UCF310 Bearing 2D drawings and 3D CAD models