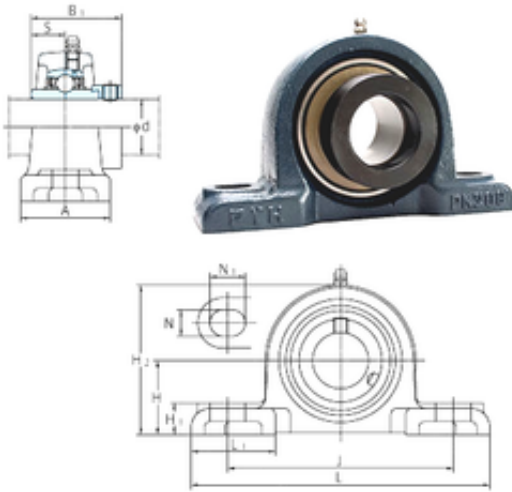




BEARING CORP.OF CANADA LTD.



NAPK215 Bearing 2D drawings and 3D CAD models

FYH NAPK215 Bearing units

Bearing No. NAPK215

Bore Diameter	75 mm
d	75 mm
H	84,1 mm
A	82 mm
B1	92,1 mm
H1	38 mm
H2	165 mm
J	241 mm
L	304 mm
L1	87 mm
N	22 mm
N1	32 mm
S	37,3 mm
Bolt (G)	3/4
Weight	9,6 Kg
Basic dynamic load rating (C)	67,4 kN
Basic static load rating (C0)	48,3 kN