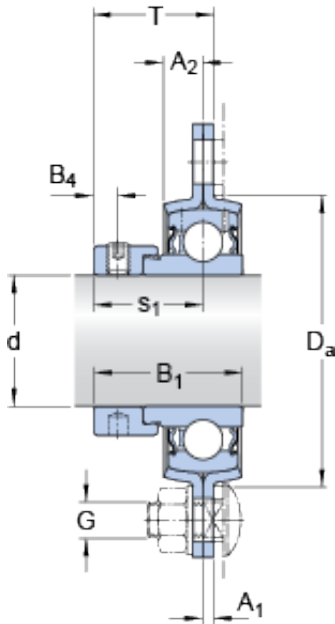




BEARING CORP.OF CANADA LTD.



PFT 15 FM Bearing 2D drawings and 3D CAD models

SKF PFT 15 FM Bearing units

Bearing No. PFT 15 FM

Size	15x2x7 mm
Bore Diameter	15 mm
Outer Diameter	2 mm
Width	7 mm
d	15 mm
A ₁	2 mm
A ₂	7 mm
B ₁	28.6 mm
B ₄	4.75 mm
D _a - min.	44 mm
J	63 mm
H	81 mm
L	59 mm
H	7.1 mm
s ₁	22.6 mm
T	24.6 mm
Basic dynamic load rating - C	9.6 kN
Basic static load rating - C ₀	4.8 kN
Fatigue load limit - P _u	0.2 kN
Limiting speed	9500 r/min
Mass bearing unit	0.2 kg
Thread - G ₂	M6x0.75
Hexagonal key size for grub screw - H	3 mm
Housing material	Pressed steel



BEARING CORP.OF CANADA LTD.

D_a min.	44 mm
A_1	2 mm
A_2	7 mm
B_1	28.6 mm
B_4	4.75 mm
N	7.1 mm
s_1	22.6 mm
Basic dynamic load rating C	9.56 kN
Basic static load rating C_0	4.75 kN
Fatigue load limit P_u	0.2 kN
Thread grub screw G_2	M6x0.75
Hexagonal key size for grub screw N	3 mm
Recommended tightening torque for grub screw	4 N · m
Recommended diameter for attachment bolts, mm G	6 mm
Recommended diameter for attachment bolts, inch G	0.25 in