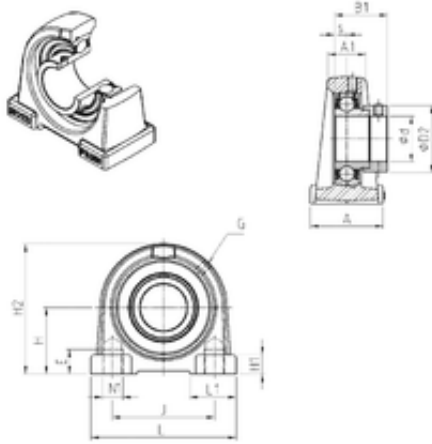




BEARING CORP.OF CANADA LTD.



SNR ESPAE212 Bearing units

Bearing No. ESPAE212

Bore Diameter	60 mm
d	60 mm
s	12 mm
A	60 mm
A1	42 mm
B1	49,3 mm
D2	84,2 mm
E	20 mm
H	69,9 mm
H1	16 mm
H2	140 mm
J	118 mm
L	150 mm
L1	32 mm
Thread (G)	R1/8"
Thread (N1)	M16
Weight	3,7 Kg
Basic dynamic load rating (C)	52,5 kN

ESPAE212 Bearing 2D drawings and 3D CAD models