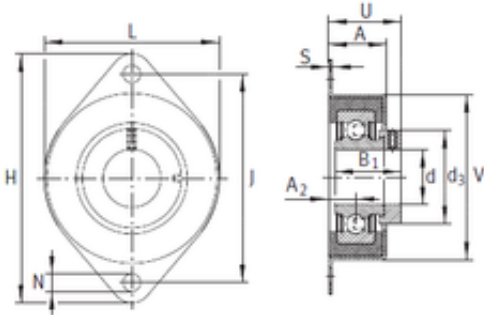




BEARING CORP.OF CANADA LTD.

INA RCSMF30 Bearing units



RCSMF30 Bearing 2D drawings and 3D CAD models

Bearing No. RCSMF30

Bore Diameter	30 mm
d	30 mm
V	68 mm
U	35 mm
d3	42,5 mm
A	27 mm
B1	26,5 mm
H	114 mm
J	92 mm
L	70 mm
N	10,5 mm
S	1,5 mm
A2	15 mm
Category	Mounted Units & Inserts
Inventory	0.0
Manufacturer Name	SCHAEFFLER GROUP
Minimum Buy Quantity	N/A
Weight / Kilogram	0.32
Product Group	M06110