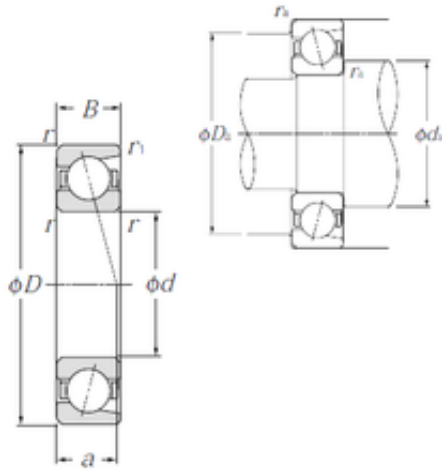




# BEARING CORP.OF CANADA LTD.

## 130 mm x 165 mm x 18 mm NTN 7826C Angular contact ball bearings



Bearing No. 7826C

Size	130x165x18 mm
Bore Diameter	130 mm
Outer Diameter	165 mm
Width	18 mm
d	130 mm
D	165 mm
B	18 mm
C	18 mm
Angle ( ° )	15 °
a	29 mm
r min.	1,1 mm
r1 min.	0,6 mm
Weight	0,911 Kg
Basic dynamic load rating (C)	47 kN
Basic static load rating (C0)	59,5 kN
(Grease) Lubrication Speed	5 500 r/min
(Oil) Lubrication Speed	7 400 r/min

7826C Bearing 2D drawings and 3D CAD models